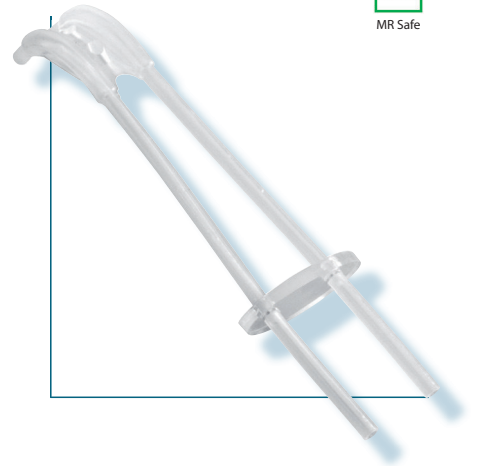
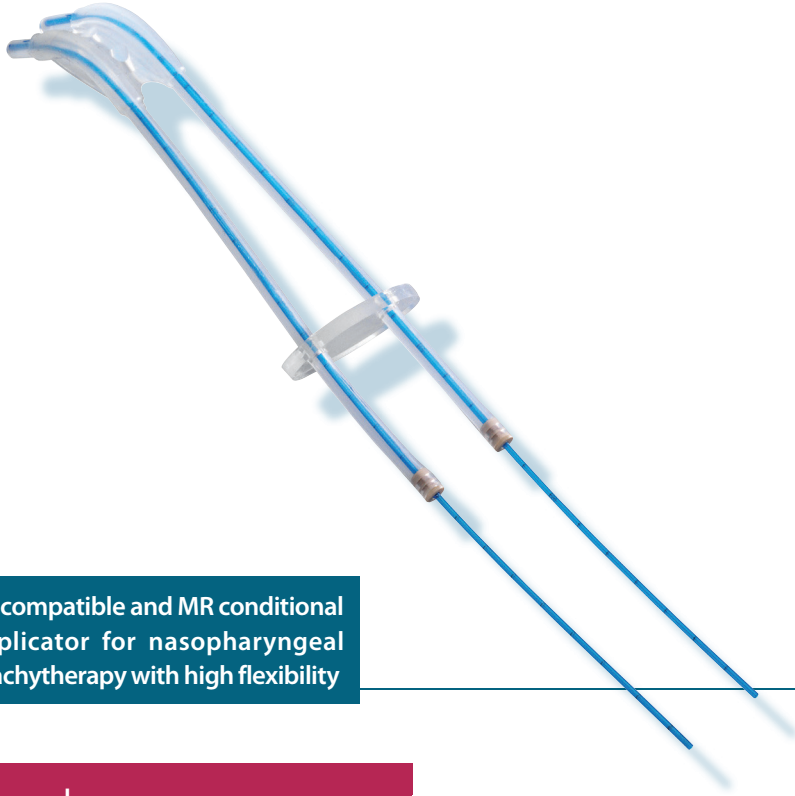


Nasopharynx Applicator Set

SET0147

MR
MR Safe



CT compatible and MR conditional applicator for nasopharyngeal brachytherapy with high flexibility

Nasopharynx

Treatment of the Nasopharynx

The Nasopharynx Applicator (Rotterdam Type) is designed for intracavitary HDR brachytherapy treatment of nasopharyngeal tumors. It is made of flexible silicone that adapts to the individual nasopharyngeal cavity.

Safe and Easy Handling

The Nasopharynx Applicator is delivered sterile and for single use only. A bridge connecting the silicone tubes of the applicator securely fixes the position in the nasopharynx.

Precise Dose Distribution

While the flexible catheters type N (LLA300-N) are removed, the applicator remains in place for multiple fractions and keeps its fixed position, thus allowing precise and reproducible dose distribution for every single fraction.

Features

- CT compatible and MR conditional
- Flexible mould applicator for intracavitary HDR brachytherapy treatment of nasopharyngeal tumors
- Bridge on the silicone tubes securely fixes the applicator position in the nasopharynx
- Applicator is delivered sterile
- For single use only

Set Content SET0147

Quantity	Item	Part number
1	Nasopharynx Applicator (Rotterdam Type)	LAZ08
1	Sterile Gel (10 ml) ⁸	LLZ09
6	Flexible Catheters, Type N, D= 1.65 mm, L= 300 mm, (2 pcs)	LLA300-N
1	Cutter for Flexible Catheters ⁷	LAH06-01

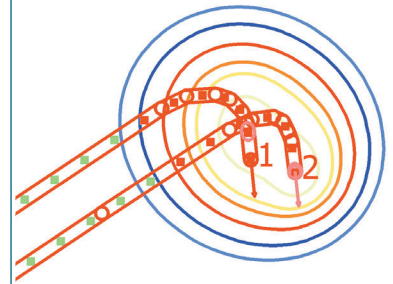
Required Items

Quantity	Item	Part number
2	Easy Click Transfer Tube, D = 3 mm, L = 1000 mm	LAG1000
1	Set of X-Ray Markers, L = 325 mm, Code = 01-02	SET0030

Optional Items

Quantity	Item	Part number
1	Channel Coding for Needles and Catheters (Channel 1)	LLZ03-01
1	Channel Coding for Needles and Catheters (Channel 2)	LLZ03-02
1	Channel Coding for Transfer Tubes (Set for Channel 1-20)	LLZ04-01

Isodose



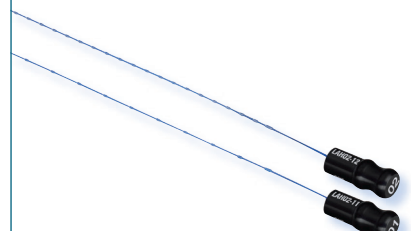
Cutter for Flexible Catheters



Easy Click Transfer Tube



Set of X-Ray Markers



⁷ Manufactured by Pressmaster GmbH

⁸ Manufactured by Farco-Pharma GmbH

