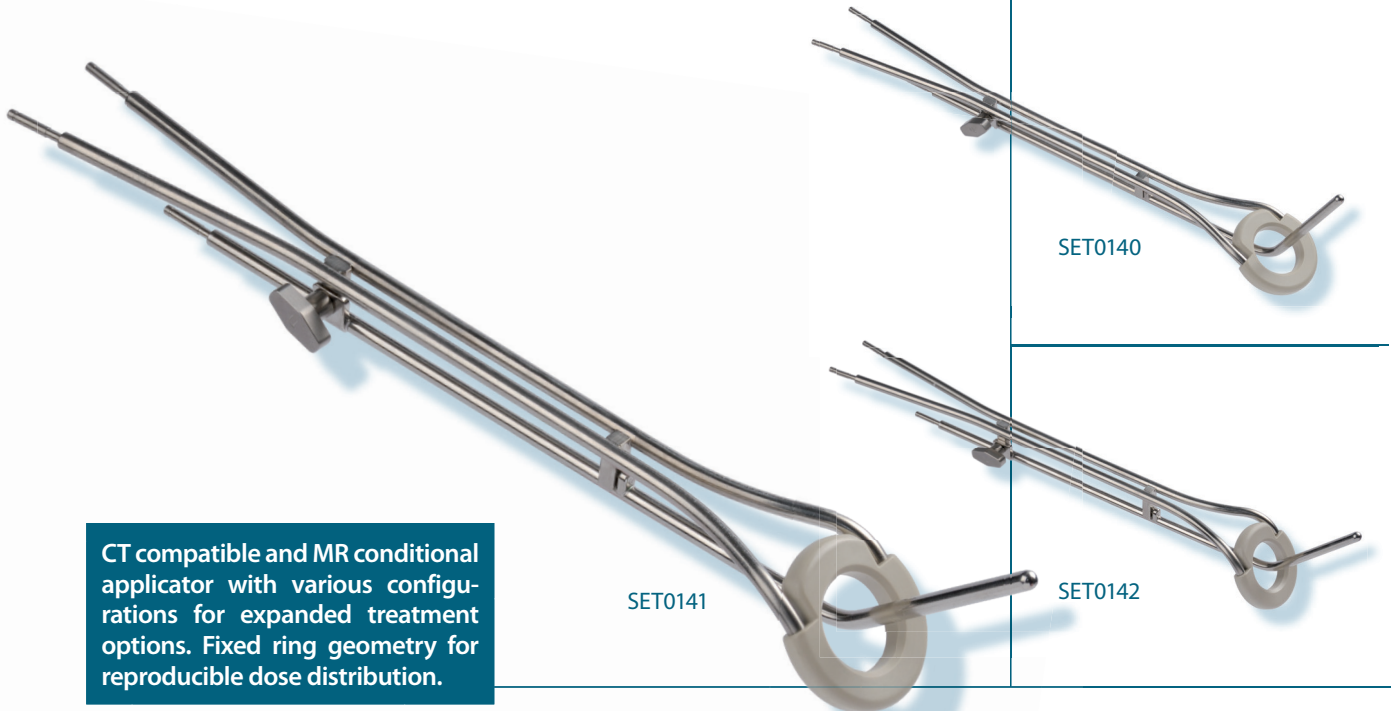


# CT/MR Ring Applicator Sets (30°, 45°, 60°)

SET0140, SET0141, SET0142



CT compatible and MR conditional applicator with various configurations for expanded treatment options. Fixed ring geometry for reproducible dose distribution.

## Cervix, Endometrium

### Essential Brachytherapy Tool

The CT/MR Ring Applicator is based on the Stockholm technique for gynecological brachytherapy. The intrauterine tube and ring can easily be inserted. Once in place, they lock together in a fixed geometry, remaining stable and immobile during treatment. The CT/MR Ring Applicator is a versatile and important tool for gynecological brachytherapy.

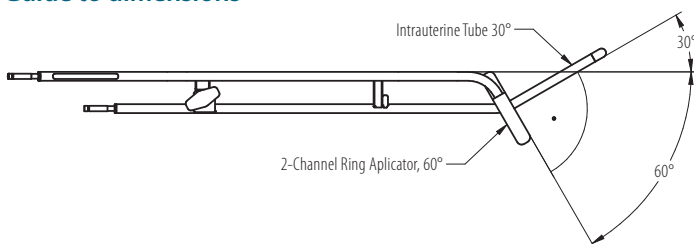
### Various Configurations

The CT/MR Ring Applicator is available in 30°, 45° and 60° sets, with the angle defined relative to the axis of the applicator. Each set consists of three 2-Channel Ring Applicators with diameters of 25 mm, 30 mm, and 35 mm, measured from center to center, along with three corresponding intrauterine tubes with lengths of 20 mm, 40 mm, and 60 mm. The polyetheretherketone rings with outer diameters of 36 mm, 42 mm and 45 mm are permanently attached.

### Targeted Dose Coverage

The fixed geometry of the CT/MR Ring Applicator provides a reproducible dose distribution for gynecological brachytherapy. The combination of a ring and an angled intrauterine tube passing through the center of the ring results in a targeted dose coverage to the endometrium and cervix.

### Guide to dimensions



## Features

- CT compatible and MR conditional
- Different intrauterine lengths, angles and ring diameters
- The fixed geometry of the Ring Applicators allows reproducible dose distributions
- Intrauterine tube and ring lock together, remaining immobile and stable
- Fixed cap of the polyetheretherketone ring reduces dose to surface by distance
- Sets are reusable; reprocessing via automatic cleaning and disinfection; steam sterilization
- Applicator can easily be attached to the applicator clamp (LAZ22-01)

## Set Content SET0140 (30°)

Quantity	Item	Part number
1	CT/MR 2-Channel Ring Applicator, 30°, D= 25 mm	LCT40-1
1	CT/MR 2-Channel Ring Applicator, 30°, D= 30 mm	LCT40-2
1	CT/MR 2-Channel Ring Applicator, 30°, D= 35 mm	LCT40-3
1	CT/MR Intrauterine Tube for Ring Applicator, 30°, L= 20 mm	LCT40-6
1	CT/MR Intrauterine Tube for Ring Applicator, 30°, L= 40 mm	LCT40-7
1	CT/MR Intrauterine Tube for Ring Applicator, 30°, L= 60 mm	LCT40-8
2	Sealing Caps, (10 pcs)	LAZ17-03

## Set Content SET0141 (45°)

Quantity	Item	Part number
1	CT/MR 2-Channel Ring Applicator, 45°, D= 25 mm	LCT41-1
1	CT/MR 2-Channel Ring Applicator, 45°, D= 30 mm	LCT41-2
1	CT/MR 2-Channel Ring Applicator, 45°, D= 35 mm	LCT41-3
1	CT/MR Intrauterine Tube for Ring Applicator, 45°, L= 20 mm	LCT41-6
1	CT/MR Intrauterine Tube for Ring Applicator, 45°, L= 40 mm	LCT41-7
1	CT/MR Intrauterine Tube for Ring Applicator, 45°, L= 60 mm	LCT41-8
2	Sealing Caps, (10 pcs)	LAZ17-03

## Set Content SET0142 (60°)

Quantity	Item	Part number
1	CT/MR 2-Channel Ring Applicator, 60°, D= 25 mm	LCT42-1
1	CT/MR 2-Channel Ring Applicator, 60°, D= 30 mm	LCT42-2
1	CT/MR 2-Channel Ring Applicator, 60°, D= 35 mm	LCT42-3
1	CT/MR Intrauterine Tube for Ring Applicator, 60°, L= 20 mm	LCT42-6
1	CT/MR Intrauterine Tube for Ring Applicator, 60°, L= 40 mm	LCT42-7
1	CT/MR Intrauterine Tube for Ring Applicator, 60°, L= 60 mm	LCT42-8
2	Sealing Caps, (10 pcs)	LAZ17-03

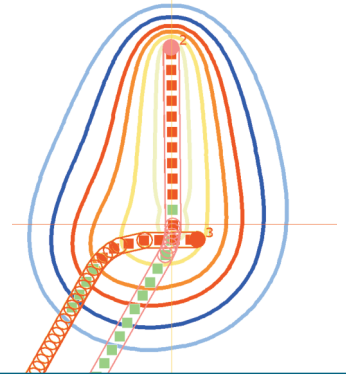
## Required Items

Quantity	Item	Part number
3	Transfer Tube, D= 3 mm, L= 1000 mm	LAF1000

## Optional Items

Quantity	Item	Part number
1	Sterilization Box, 381 x 254 x 38 mm <sup>1</sup>	LLZ05-01
1	CT/MR Rectal Retractor	LCZ50-01
1	CT/MR Perineal Bar	LCZ51-01

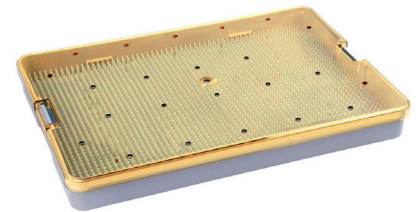
## Isodose



## Transfer Tube



## Sterilization Box



## CT/MR Rectal Retractor



**Eckert & Ziegler**  
Contributing to saving lives

<sup>1</sup> Manufactured by PST Plastic Sterilizing Trays Corporation